

Q.P. Code :13126**[Time: Three Hours]****[Marks:80]**

Please check whether you have got the right question paper.

- N.B:
1. Question.No.1 is compulsory.
 2. All questions carry equal marks.
 3. Attempt any three questions from Q.no.2. to Q. no.6.
 4. Figures to the right indicate full marks.
 5. Atomic weights : H=1, C=12, O=16, S=32, N=14, Cl=35.5

- Q.1.** Answer any five of the following: **15**
- a. Gold does not get corroded due to oxidation. Why?
 - b. Give the composition, properties and uses of Duralumin.
 - c. Define octane number and cetane number.
 - d. Give classification of composite materials.
 - e. List any six principles of green chemistry.
 - f. Explain the advantages of galvanizing over tinning.
 - g. A coal sample contains C=70%, O=23% H=5%, N = 0.4% Ash = 0.1% Calculate GCV and NC V of the fuel.
- Q.2.**
- a. Explain the following factors affecting the rate of corrosion. **6**
 - i) Relative areas of anode and cathode
 - ii) pH of medium
 - iii) Purity of metal
 - b. i) 0.5 gm of coal sample was burnt in Bomb Calorimeter experiment produced 0.06 gm of BaSO₄. **3**
Calculate percentage of sulphur.
 - ii) What is supercritical CO₂? Give one application of it. **2**
 - c. Write a note on sandwich panel type layered composites. **4**
- Q.3.**
- a. With neat and labelled diagram explain fixed bed catalytic cracking. **6**
 - b. i) Write a note on atomization. **3**
 - ii) What is pigment? Give its two functions. **2**
 - c. Calculate the percentage atom economy for the following reaction. **4**

$$\text{CH}_3\text{NH}_2 + \text{COCl}_2 \rightarrow \text{CH}_3\text{N} = \text{C} = \text{O} + 2\text{HCl}$$
- Q.4.**
- a. Explain with the help of diagram wet corrosion in neutral medium. **6**
 - b. i) Explain the green chemistry principle 'prevention of waste'. **3**
 - ii) Write a note on 'Matrix phase' of composite material **2**
 - c. Mention four drawbacks of plain carbon steel **4**
- Q.5.**
- a. Calculate weight of air needed for complete combustion of 2kg of coal containing C=70%, H=10%, O=10%, N=5% and remaining ash. **6**

Q.P. Code :13126

- b. i) Explain the method of impressed current cathodic protection. **3**
- ii) Give two purposes of alloying. **2**
- c. Explain conventional and green route of manufacturing of Adipic acid. **4**

- Q.6.**
- a. What is compaction in powder metallurgy? **6**
Explain powder injection moulding method with suitable diagram.
 - b. i) Mention the characteristic properties of composite materials. **3**
 - ii) Distinguish between anodic protection and cathodic protection. **2**
 - c. Define fuel. Give the characteristics of good fuel. **4**

Max. Marks: 80

Time: 3 hrs.

N.B. : 1. Q1 is compulsory

2. Attempt any three questions from Q2 to Q6.

Q1. a) Show that $\int_0^{\infty} 3^{-4x^2} dx = \frac{\sqrt{\pi}}{4\sqrt{\log 3}}$ 3

b) Solve $(2y^2 - 4x + 5)dx = (y - 2y^2 - 4xy)dy$ 3

c) Solve the ODE $(D - 1)^2 (D^2 + 1)^2 y = 0$ 3

d) Evaluate $\int_0^1 \int_0^{x^2} e^x dy dx$ 3

e) Evaluate $\int_0^1 \frac{x^a - 1}{\log x} dx$ 4

f) Find the length of the cycloid from one cusp to the next, where $x = a(\theta + \sin \theta)$, $y = a(1 - \cos \theta)$ 4

Q2. a) Solve $(D^2 - 3D + 2)y = 2e^x \sin\left(\frac{x}{2}\right)$ 6

b) Using DUIS prove that $\int_0^{\infty} e^{-\left(x^2 + \frac{a^2}{x^2}\right)} dx = \frac{\sqrt{\pi}}{2} e^{-2a}$, $a > 0$ 6

c) Change the order of integration and evaluate $\int_0^1 \int_x^{\sqrt{2-x^2}} \frac{x}{\sqrt{x^2 + y^2}} dx dy$ 8

Q3. a) Evaluate $\int_0^1 \int_0^{1-x} \int_0^{1-x-y} \frac{1}{(x+y+z+1)^3} dz dy dx$ 6

b) Find the mass of the lemniscate $r^2 = a^2 \cos 2\theta$ if the density at any point is proportional to the square of the distance from the pole. 6

c) Solve $x^2 \frac{d^3 y}{dx^3} + 3x \frac{d^2 y}{dx^2} + \frac{dy}{dx} + \frac{y}{x} = 4 \log x$ 8

Q4. a) Prove that for an astroid $x^{2/3} + y^{2/3} = a^{2/3}$, the line $\theta = \frac{\pi}{6}$ divide the arc in the first quadrant in a ratio 1:3. 6

b) Solve $(D^2 - 7D - 6)y = (1 + x^2)e^{2x}$ 6

c) Apply Runge Kutta method of fourth order to find an approximate value of y when $x = 0.4$ given that $\frac{dy}{dx} = \frac{y-x}{y+x}$, $y = 1$ when $x = 0$ taking $x = 0.2$ 8

Q5. a) Use Taylor's series method to find a solution of $\frac{dy}{dx} = 1 + xy$, $y(0) = 0$ for $x = 0.2$ taking $h = 0.1$ correct to four decimal places. 6

b) Solve by the method of variation of parameters $\frac{d^2y}{dx^2} + y = \frac{1}{1 + \sin x}$ 6

c) Compute the value of $\int_{0.2}^{1.4} (\sin x - \ln x + e^x) dx$ using (i) Trapezoidal rule (ii) Simpson's (1/3)rd rule (iii) Simpson's (3/8)th rule by dividing into six subintervals. 8

Q6. a) Using Beta function evaluate $\int_0^{\frac{\pi}{6}} \cos^6 3\theta \sin^2 6\theta d\theta$

b) Evaluate $\int_0^{\frac{\pi}{2}} \int_y^{\sqrt{a^2-y^2}} \log(x^2 + y^2) dx dy$ by changing to polar coordinates 6

c) Evaluate $\iiint_V x^2 y z dx dy dz$ over the volume bounded by the planes 8

$x = 0, y = 0, z = 0$ and $\frac{x}{a} + \frac{y}{b} + \frac{z}{c} = 1$

Q.P. Code :09910

[Time: 2 Hours]

[Marks:60]

Please check whether you have got the right question paper.

- N.B:**
1. Question no 1 is compulsory
 2. Attempt any three questions from Q.2 to Q.6.
 3. Use suitable data wherever required
 4. Figures to the right indicate full marks.

- Q.1** Attempt **any five** of the following **15**
- A Why the Newton's rings are circular and fringes in wedge shaped film are straight?
- B What is grating and grating element?
- C The core diameter of multimode step index fibre is $50 \mu\text{m}$. The numerical aperture is 0.25. calculate the number of guided modes at an operating wavelength of $0.75 \mu\text{m}$. ?
- D What is a population inversion state? Explain its significance in the operation of LASER.
- E What is divergence of a vector field? Express it in Cartesian coordinate system.
- F What do you mean by thin film? Comment on the colors in thin film in sun light
- G An electron is accelerated through a potential difference of 18 kV in a color TV cathode ray tube. Calculate the kinetic energy and the speed of the electron.
- Q.2** A Derive the conditions for maxima and minima due to interference of light transmitted from thin film of uniform thickness. **08**
- B Differentiate between step index and graded index fibre. **07**
- An optical fibre has a numerical aperture of 0.20 and a refractive index of cladding is 1.59. Determine the core refractive index and the acceptance angle for the fibre in water which has a refractive index of 1.33.
- Q.3** A Explain the experimental method to determine the wavelength of spectral line using diffraction grating. **08**
- What is the highest order spectrum which can be seen with monochromatic light of wavelength 6000 \AA by means of a diffraction grating with 5000 lines /cm?
- B Explain construction and working of He:Ne laser with neat label diagram. **07**
- Q.4** A Explain Cylindrical co-ordinate system. State the transformation relation between Cartesian and Cylindrical co-ordinates. **05**
- B Explain the concept of electrostatic focusing in electron optics. **05**
- C Two optically plane glass strips of length 10cm are placed one over the other. A thin foil of thickness 0.01 mm is introduced between them at one end to form an air film. If the light used has wavelength 5900 \AA find the separation between consecutive bright fringes. **05**
- Q.5** A With Newton's ring experiment explain how to determine the refractive index of liquid? **05**
- B Using Spherical co-ordinate systems calculate the area of a disc of radius 2cm. **05**
- C What are different techniques to synthesis nanomaterial? Explain one of them in detail. **05**
- Q.6** A With neat diagram explain construction and working of Scanning electron microscope. **05**
- B Explain the construction and reconstruction of hologram with neat diagram. **05**
- C An electron is accelerated through a potential difference of 5 kV and enters a uniform magnetic field of 0.02 wb/m^2 acting normal to the direction of electron motion. Determine the radius of the path. **05**

Q.P. Code :17098**[Time: Two Hours]****[Marks:40]**

Please check whether you have got the right question paper.

- N.B:
1. Question.No.1 is compulsory.
 2. Attempt Any three out of five questions.

Q.1 a) Write a short on objectives of communication. **03**

b) Read each sentence and fill the blank spaces choosing the correct word. **02**

1. You will loose/lose your deposit if you cancel the order.
2. He's a man who's/whose opinion I respect.
3. He is one of the men who does/do the work.
4. I would advice/advise extreme caution.

c) Write short note on Complete block format with its diagrammatic representation. **03**

d) Construct the technical definition of the following. **02**

- 1) Wall Clock
- 2) Soldering

Q.2 a) Explain non-verbal communication. **03**

b) List out principles of communication and explain two principles. **02**

c) As the Manager of Sangam Hotel, New Delhi, write a claim letter to the General Manager of Bharat Potteries, 05 Aligarh Road, Bhavanipur, telling him that most of the contents of the china ware which you had ordered from their firm have reached you in a damaged condition. Demand replacement or suitable compensation. Invent necessary details. (Use modified block form)

Q.3 a) What is meant by external and internal communication? Explain internal communication. **03**

b) Match the following **02**

A	B
1) Date Line	a) Optional Part
2) Subject Line	b) Reference Number
3) RT/SYV	c) No Ordinals
4) 12/VT/07	d) identification Mark

c) As the sales Director of Fitness Plus Centre, Bangalore, draft a sales letter to Business Professions selling them 05 on your 3 wellness packages: (Use semi Block form)

1. The 3 day Fitness Weekend.
2. The 7 day Total Fitness Programme
3. The individualized corporate well Well-being Programme

Q.P. Code :17098

- Q.4** a) Write a short note on Email Etiquettes **03**
- b) Classify the following instructions as Caution, Precaution, Warning, Note **02**
1. Do not expose to the medicine to direct sunlight.
 2. Avoid smoking.
 3. Wear Hand gloves.
 4. Fill in the entries carefully
- c) Write short note on **any two**. **03**
1. Silence
 2. Grapevine
 3. You Attitude
- d) Identify the barrier. **02**
1. The Accounts officer, who always did his calculations manually, could not work on computing machine.
 2. A signboard read, "Fine for Parking"
- Q.5** a) Explain in detail socio-psychological barriers. **03**
- b) Provide one word substitute for the following sentence. **04**
1. A contagious disease which spreads over a huge area.
 2. Borrows ideas and steal others words is called.
- c) Explain characteristics of good instructions. **03**
- Q.6** a) Describe any ONE of the following objects giving definition, diagram, components and working of Smartphone **05**
or Water Purifier.
- b) Read the following passage carefully and answer the questions given below. **05**
- The word euthanasia is of Greek origin and literally means "a good death." The American Heritage Dictionary defines it as "the act of killing a person painlessly for reasons of mercy," Such killing can be done through active means, such as administering a lethal injection, or by passive means, such as withholding medical care or food and water.
- In recent years in the United States, there have been numerous cases of active euthanasia in the news. They usually involve the deliberate killing of ill or incapacitated persons by relatives or friends who plead that they can no longer bear to see their loved ones suffer. Although such killings are a crime, the perpetrators are often dealt with leniently by our legal system, and the media usually portrays them as compassionate heroes who take personal risks to save another from unbearable suffering. The seeming acceptance of active forms of euthanasia is alarming, but we see a bigger, more insidious threat from passive forms of euthanasia. Every year, in hospitals and nursing homes around the country, there are growing numbers of documented deaths caused by caregivers withholding life sustaining care, including food and water, from vulnerable patients who cannot speak for themselves.

Q.P. Code :17098

While it is illegal to kill someone directly, for example with a gun or knife, in many cases the law has put its stamp of approval on causing death by omitting needed care. Further, many states have "living will" laws designed to protect those who withhold treatment, and there have been numerous court rulings which have approved of patients being denied care and even starved and dehydrated to death. Because such deaths occur quietly within the confines of hospitals and nursing homes, they can be kept hidden from the public. Most euthanasia victims are old or very ill, so their deaths might be attributed to a cause other than the denial of care that really killed them. Further, it is often relatives of the patient who request that care be withheld. In one court case, the court held that decisions to withhold life sustaining care may be made not only by close family members but also by a number of third parties, and that such decisions need not be reviewed by the judicial system if there is no disagreement between decision makers and medical staff. The court went so far as to rule that a nursing home may not refuse to participate in the fatal withdrawal of food and water from an incompetent patient!

"Extraordinary" or "heroic" treatment need not be used when the chance for recovery is poor and medical intervention would serve only to prolong the dying process. But to deny customary and reasonable care or to deliberately starve or dehydrate someone because he or she is very old or very ill should not be permitted. Most of the cases coming before the courts do not involve withholding heroic measures from imminently dying people, but rather they seek approval for denying basic care, such as administration of food and water, to people who are not elderly or terminally ill, but who are permanently incapacitated. These people could be expected to live indefinitely, though in an impaired state, if they were given food and water and minimal treatment. No one has the right to judge that another's life is not worth living. The basic right to life should not be abridged because someone decides that someone else's quality of life is too low. If we base the right to life on quality of life standards, there is no logical place to draw the line. To protect vulnerable patients, we must foster more positive attitudes towards people with serious and incapacitating illnesses and conditions. Despite the ravages of their diseases, they are still our fellow human beings and deserve our care and respect. We must also enact positive legislation that will protect vulnerable people from those who consider their lives meaningless or too costly to maintain and who would cause their deaths by withholding life-sustaining care such as food and water.

1. Why author finds starvation and dehydration induced euthanasia is to be "more insidious"?
2. What is mean by word "euthanasia"?
3. When need not be to used "Extraordinary" or "heroic" treatment.
4. What is the best synonym for insidious?
 - A. mischievous B. Treacherous C. Seductive D. Apparent E. cumulative
5. Give suitable title for above passage

Q.P. Code: 18575

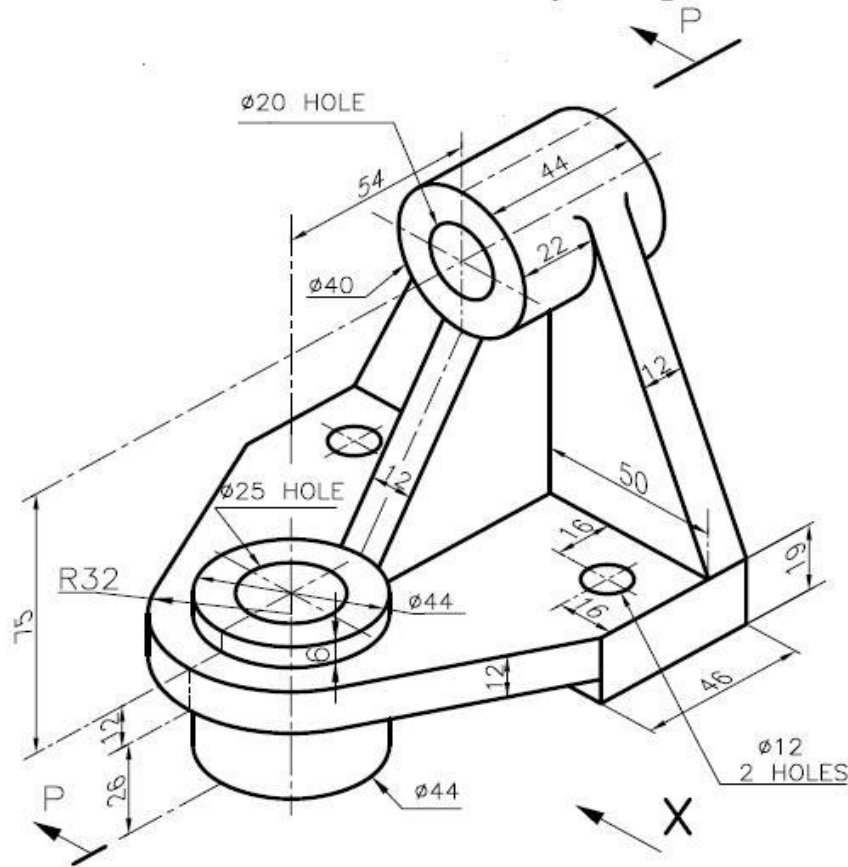
(3 HOURS)

Max Marks:60

- 1) Answer any **FOUR** questions.
- 2) Use **first** angle projection method **only**.
- 3) Assume any suitable dimension if required.

Q1 Figure given below shows two views of an object. Draw the following views to full scale.:-

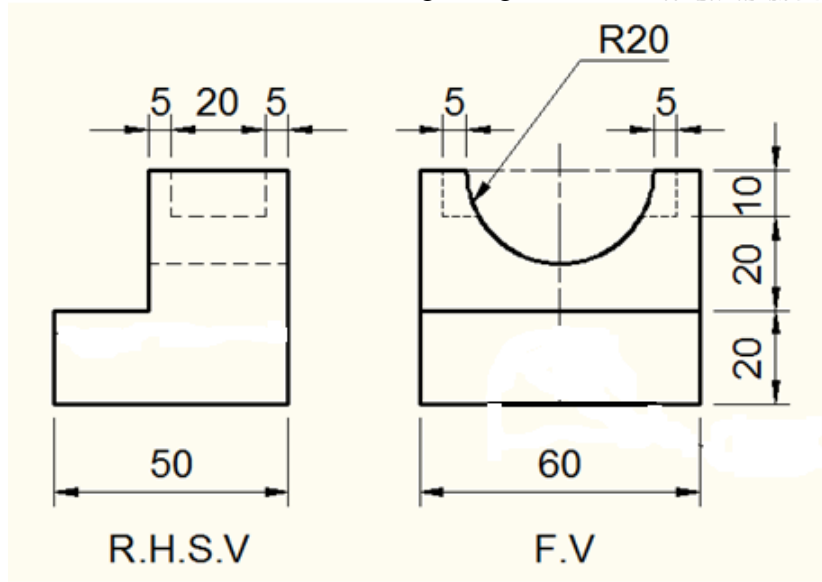
- i) Sectional Front view section P-P 05
- ii) Top View 04
- iii) Left hand Side view 04
- iv) Insert minimum 10 dimensions 02



Q2 A tetrahedron of 70 mm sides has one of its edges in H.P. and inclined at 45° to the V.P. while a face containing that edge is vertical. Draw projections of the tetrahedron. 15

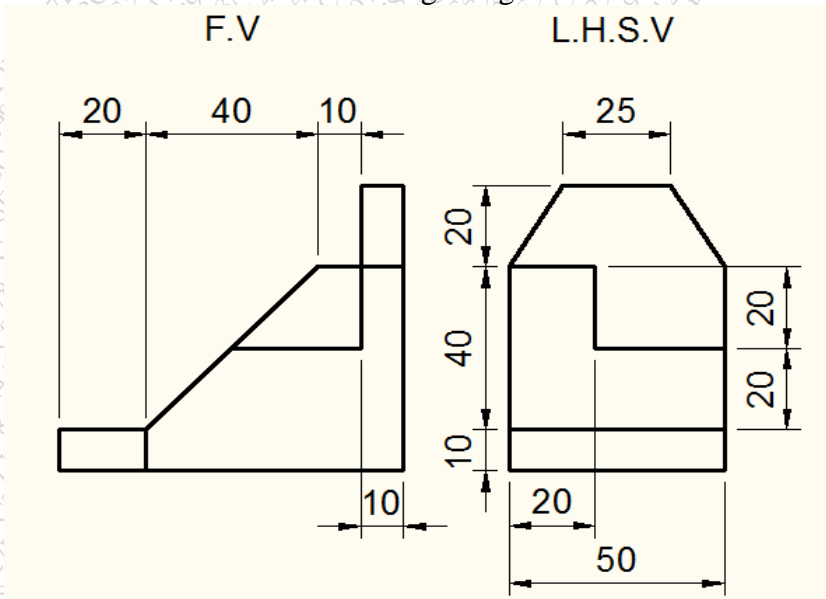
[TURN OVER

Q3 a) Draw the isometric view of the following using the natural scale 08



b) A triangular prism base 40 mm long and height of axis 65 mm has one of its base edges in H.P. and inclined at 40° to V.P. Draw projections when the axis is inclined at 45° to H.P. 07

Q4 a) Draw the isometric view of the following using the natural scale 07



b) A line AB 70 mm long has its end A 10mm above H.P. and 20 mm in front of V.P. The line AB is inclined at 40° to H.P. and its front view is inclined at 65° to XY. Draw its projections and find inclination of AB with VP. 08

[TURN OVER

(3 Hours)

[Total Marks : 80]

N.B. :

1. Question Number 1 is compulsory.
2. Attempt any 3 questions from remaining 5 questions.
3. Figures to right indicate full marks.
4. Assume suitable data if necessary and state them clearly.

- Q 1. a. Convert 0010 0100 0010 1101 from base 2 to decimal. Convert 134 from base 10 to hexadecimal. Write steps of conversion. **4**
- b. Enlist all the data types in C language along with their memory requirements, format specifiers and range. **4**
- c. Draw flowchart for 'if else' and 'while' statements of C language. **4**
- d. What is use of storage classes? Explain extern storage classes with suitable example. **4**
- e. Differentiate between structure and union. **4**
- Q 2. a. What is need of computer programming? What do you mean by structured programming? Develop an ALGORITHM and FLOWCHART to find reverse of a number. **10**
- b. Write a menu driven program to perform arithmetic operations on two integers. The menu should be repeated until the user selects 'STOP' option. Program should have independent user defined function for each case **10**
- Q 3. a. Write a program that creates two integer arrays of size 8 and 7. Initialize the arrays with random values. Sort the arrays in ascending order with the help of a user defined function namely 'sortArray'. Merge these arrays with the help of another user defined function named 'mergeArrays' which returns a new array. Program should display the arrays before and after sorting, also the merged array. **10**
- b. What are advantages and disadvantages of recursion? Comment on conditions to be considered while writing a recursive function. Write a program to print Fibonacci series up to N terms using a recursive function. **10**

Turn Over

- Q 4. a. What are structures? Comment on nested structures. Write a program to read Title, Author and Price of 10 books using array of structures. Display the records in ascending order of Price. **10**
- b. i. Explain gets() and puts() functions of C language. Comment on their parameters and return values. **5**
- ii. Enlist bitwise operators in C language. Explain any 2 with examples. **5**
- Q 5. a. Write programs to print following patterns for N lines
- i. **5**
- ```

5 4 3 2 *
5 4 3 * 1
5 4 * 2 1
5 * 3 2 1
* 4 3 2 1

```
- ii. **5**
- ```

5
5 4
5 4 3
5 4 3 2
5 4 3 2 1

```
- b. Why files are needed? Explain all the file opening modes. Write a program to create copy of a file. Let the user specify names of source and destination files. **10**
- Q 6. a. Comment on dynamic memory allocation. Write a program to read and store N integers in an array, where value of N is defined by user. Find minimum and maximum numbers from the array. **8**
- b. Explain any 4 functions from string.h header file with suitable examples. **8**
- c. Explain continue and break statements with the help of suitable examples. **4**